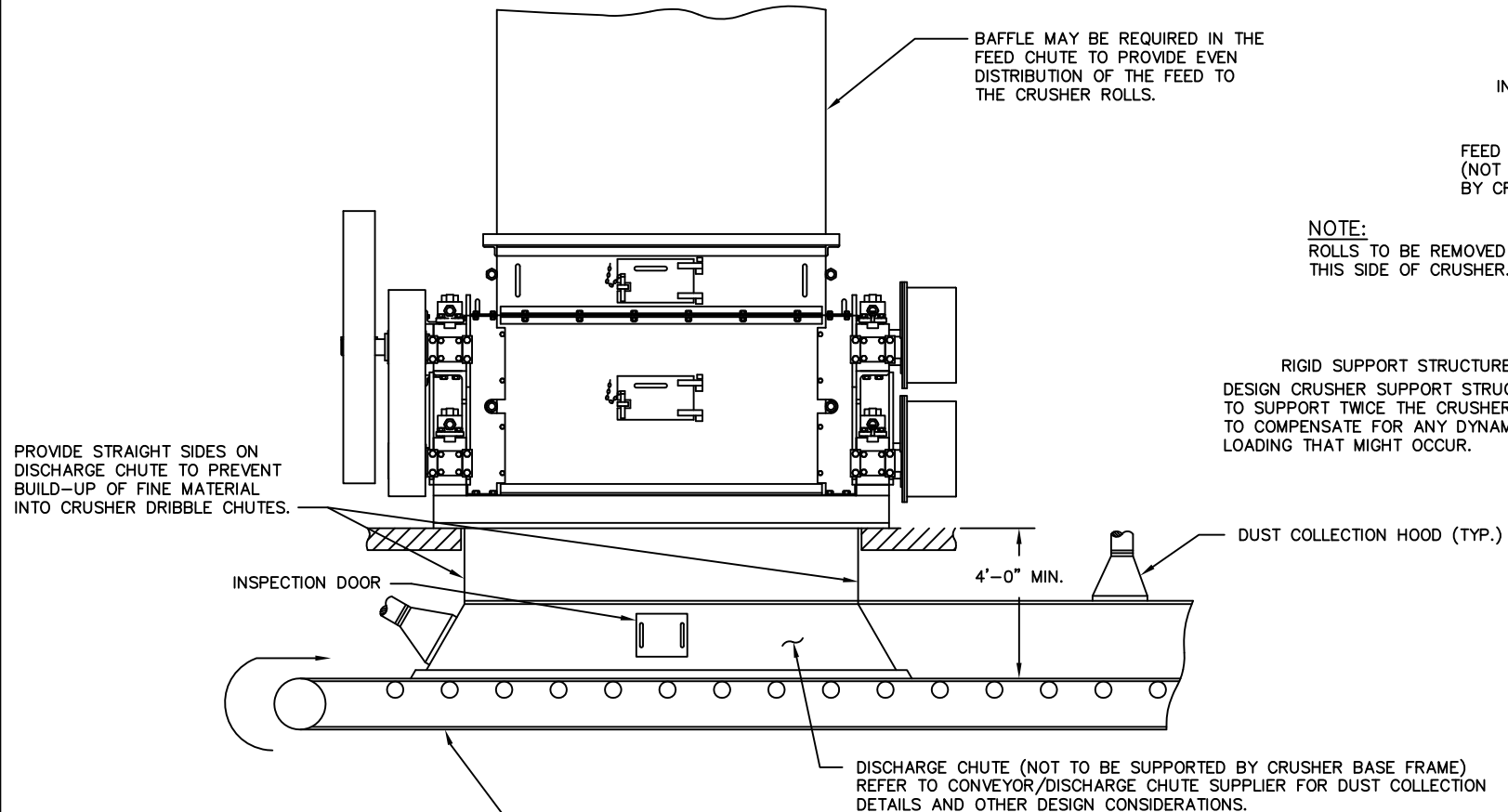
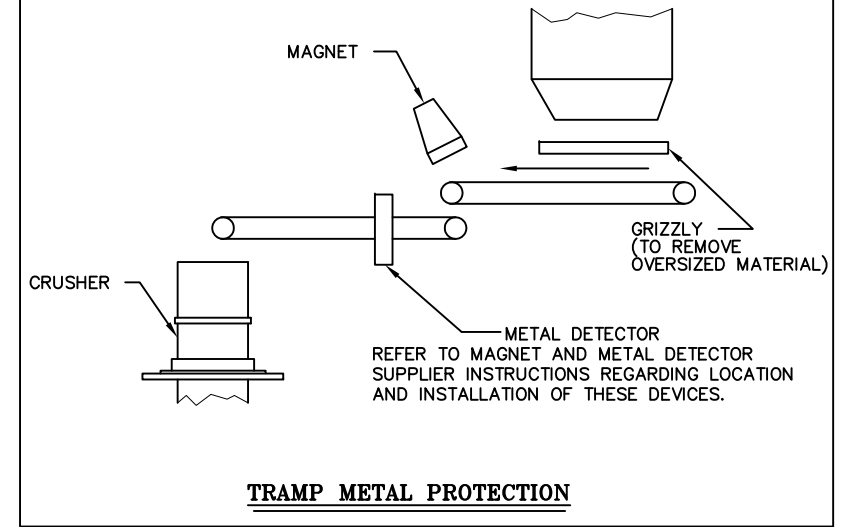
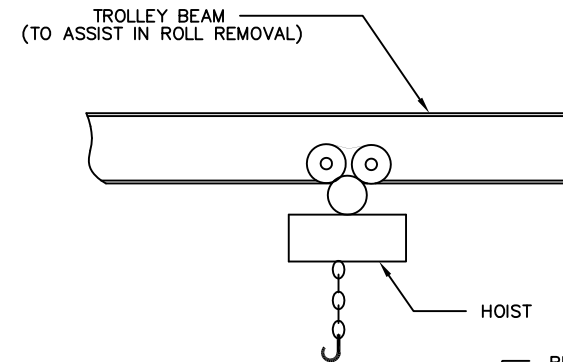


NOTES-

- 1) THIS IS A STANDARD SUGGESTED INSTALLATION DRAWING. IT IS NOT CUSTOMIZED FOR EACH UNIT, THEREFORE SPECIFIC OPTIONS FOR A CUSTOMER'S PARTICULAR UNIT MAY NOT BE SHOWN.
- 2) THIS DRAWING IS SUPPLIED FOR REFERENCE PURPOSES ONLY. IT IS NOT SUPPLIED FOR REVIEW/APPROVAL.

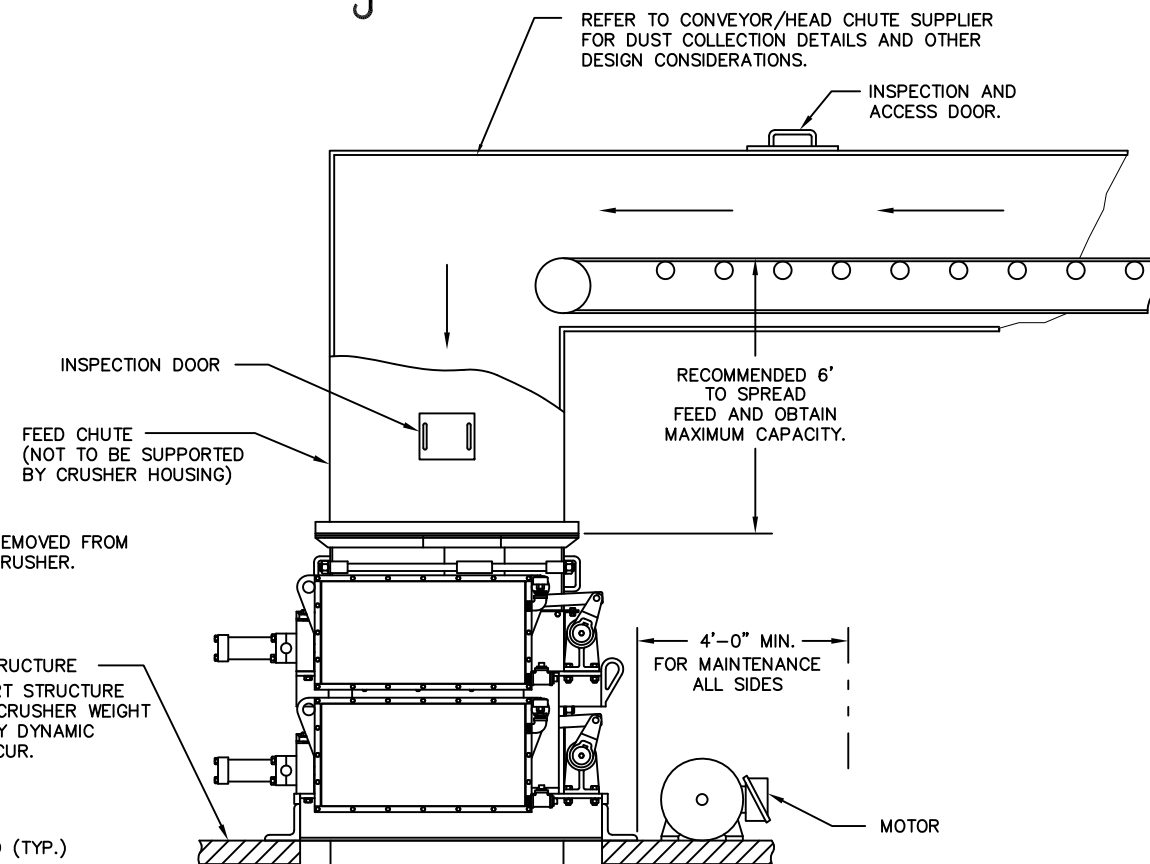
© GENERATED AIRFLOWS FOR
2000D SERIES ROLL CRUSHERS

ROLL LENGTH (in.)	SCFM	nm ³ /hr
20	500	850
30	750	1,275
40	1,000	1,700
50	1,250	2,125
60	1,500	2,550



NOTE:
ROLLS TO BE REMOVED FROM THIS SIDE OF CRUSHER.

RIGID SUPPORT STRUCTURE DESIGN CRUSHER SUPPORT STRUCTURE TO SUPPORT TWICE THE CRUSHER WEIGHT TO COMPENSATE FOR ANY DYNAMIC LOADING THAT MIGHT OCCUR.



PROVIDE STEEP SIDES ON DISCHARGE CHUTE TO PREVENT BUILD-UP OF CRUSHED MATERIAL INTO THE CRUSHER. IF MATERIAL IS WET OR STICKY, SPECIAL "NON-STICK" LINER MATERIALS SHOULD BE CONSIDERED.

FOR REFERENCE ONLY

NOTE:
SEE GENERAL ASSEMBLY FOR CRUSHER WEIGHT.

Information on this drawing is proprietary and confidential. Details contained hereon shall not be used for the purpose of fabricating, machining or processing in any manner to produce a part or assembly, and the drawing cannot be reproduced without the express written permission by an authorized officer of GUNDLACH EQUIPMENT CORPORATION, Belleville, IL, U.S.A., without incurring infringement liability.

LEFT HAND DRIVE CRUSHER SHOWN
RIGHT HAND DRIVE CRUSHER OPPOSITE AS SHOWN

SYMBOL	REVISION	DATE	BY	NEXT ASSEMBLY
⊕	ADDED GEN. AIRFLOW CHART	08-20-80	ALB	
⊖	GENERAL REVISIONS	10-27-80	RA	
Ⓢ	TITLE WAS 18-56 DA, REDRAWN	08-11-80	ET	

ITEM	QTY.	PART NO.	DESCRIPTION
<p>TOLERANCES EXCEPT AS NOTED</p> <p>DECIMAL ±.015</p> <p>FRACTIONAL ±1/32</p> <p>ANGULAR ±1/4°</p>			
MATERIAL		SCALE	DRAWN BY SMV
		NONE	APPROVED BY MLK
TITLE			DATE
2000D SERIES CRUSHER SUGGESTED INSTALLATION			03-11-80
DRAWING NUMBER			D0-1062-00