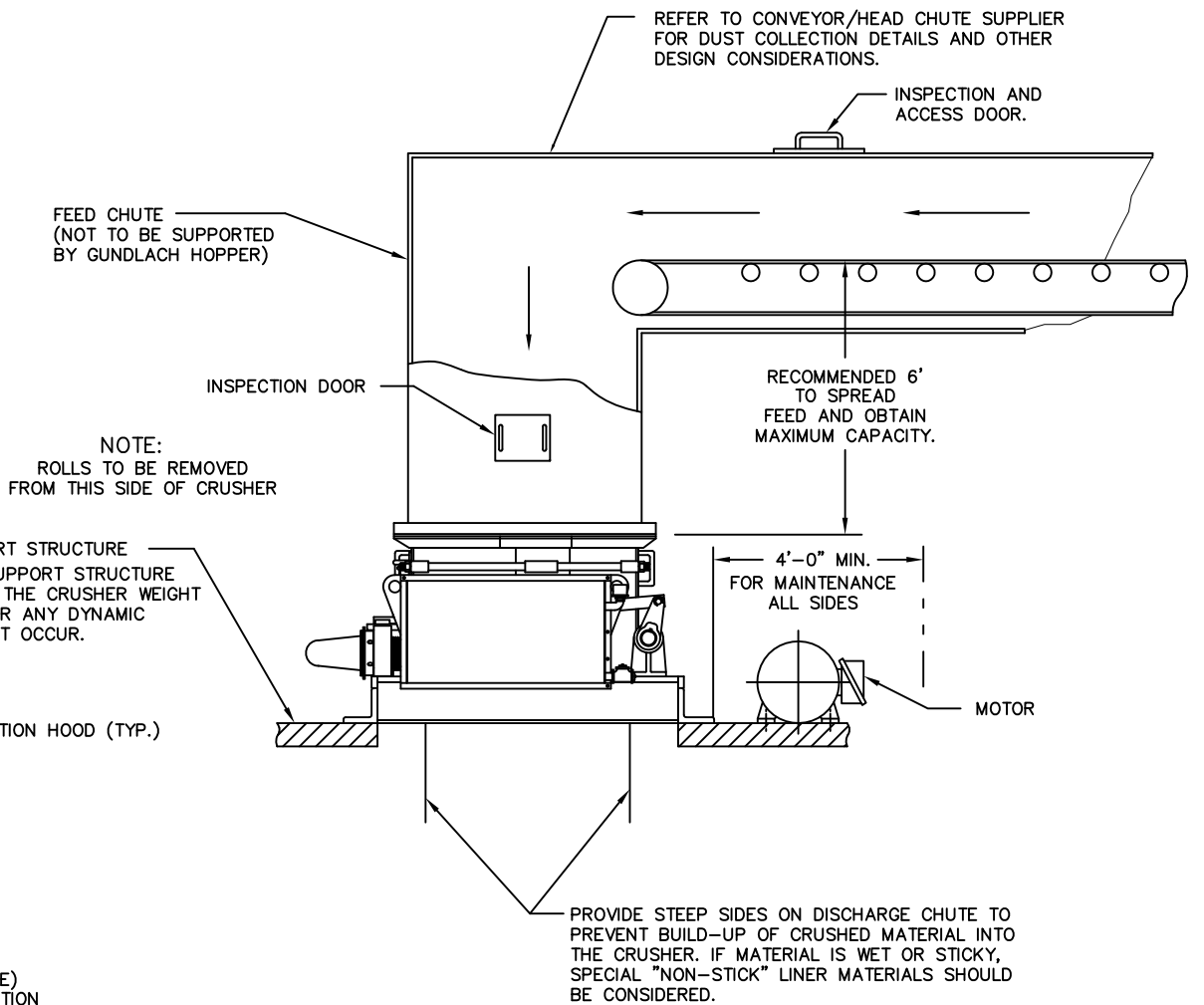
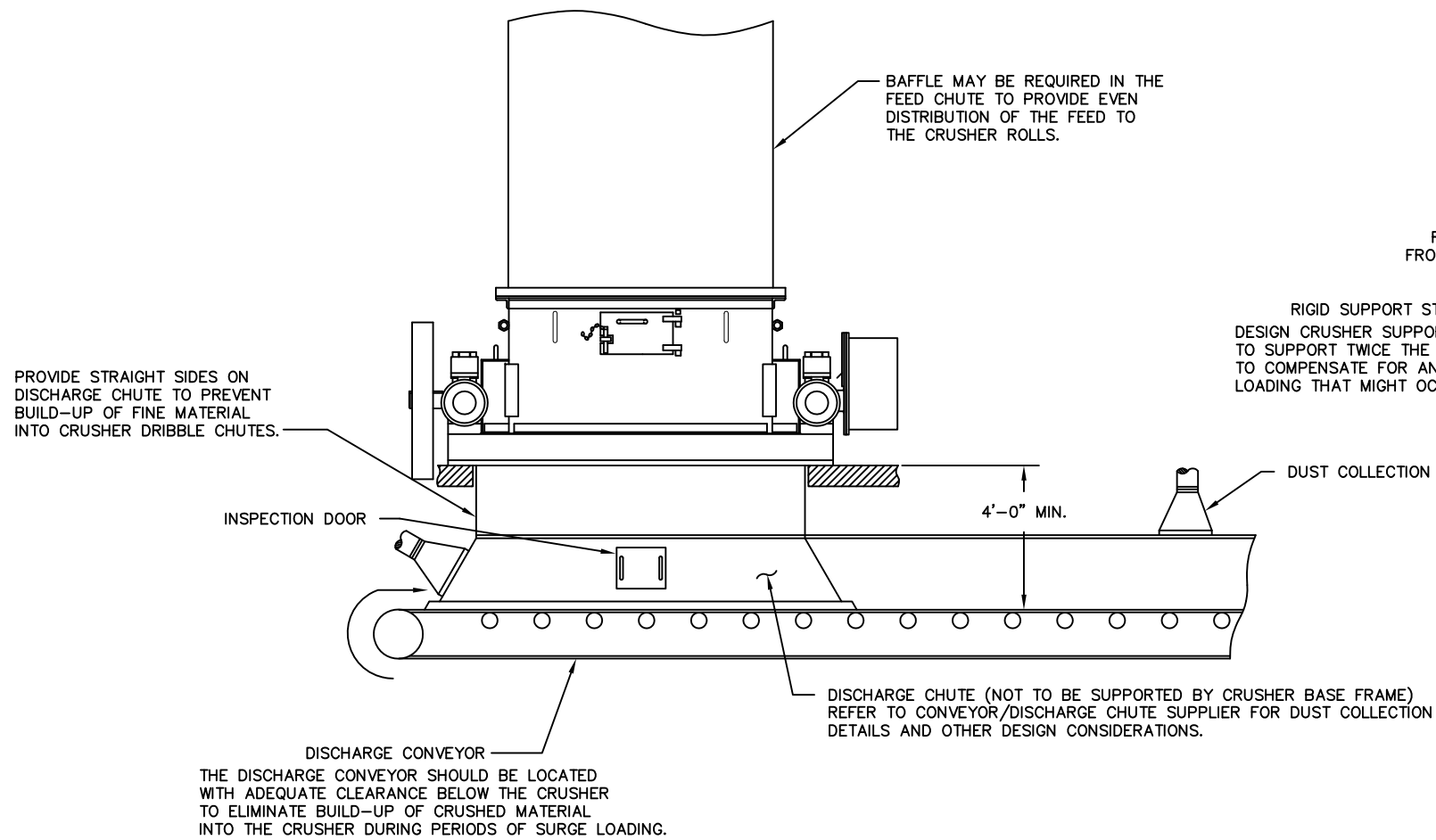
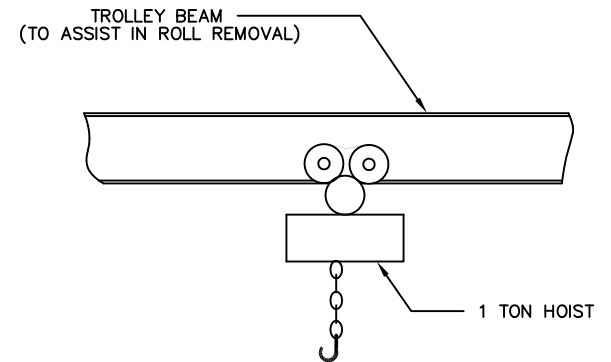


NOTES—
 1) THIS IS A STANDARD SUGGESTED INSTALLATION DRAWING. IT IS NOT CUSTOMIZED FOR EACH UNIT, THEREFORE SPECIFIC OPTIONS FOR A CUSTOMER'S PARTICULAR UNIT MAY NOT BE SHOWN.
 2) THIS DRAWING IS SUPPLIED FOR REFERENCE PURPOSES ONLY. IT IS NOT SUPPLIED FOR REVIEW/APPROVAL.

© GENERATED AIRFLOWS FOR 2000S SERIES ROLL CRUSHERS

ROLL LENGTH (in.)	SCFM	nm ³ /hr
20	500	850
30	750	1,275
40	1,000	1,700
50	1,250	2,125
60	1,500	2,550



**LEFT HAND DRIVE CRUSHER SHOWN
 RIGHT HAND DRIVE CRUSHER OPPOSITE**

FOR REFERENCE ONLY

Information on this drawing is proprietary and confidential.
 Details contained hereon shall not be used for the purpose of fabricating, machining or processing in any manner to produce a part or assembly, and the drawing cannot be reproduced without the express written permission by an authorized officer of GUNDLACH EQUIPMENT CORPORATION, Belleville, IL, U.S.A., without incurring infringement liability.

ITEM	QTY.	PART NO.	DESCRIPTION
<p>TOLERANCES EXCEPT AS NOTED</p> <p>DECIMAL</p> <p>FRACTIONAL</p> <p>ANGULAR</p>			
<p>GUNDLACH GUNDLACH EQUIPMENT CORPORATION BELLEVILLE, IL, U.S.A.</p>			<p>SCALE NONE</p> <p>DRAWN BY G. McBRIDE</p> <p>APPROVED BY TERVEER</p>
<p>REVISION</p> <p>DATE</p> <p>BY</p> <p>DATE</p> <p>BY</p> <p>DATE</p> <p>BY</p>			<p>TITLE 2000S CRUSHER SUGGESTED INSTALLATION</p> <p>DRAWING NUMBER D0-1105-00</p>