

NOTES-

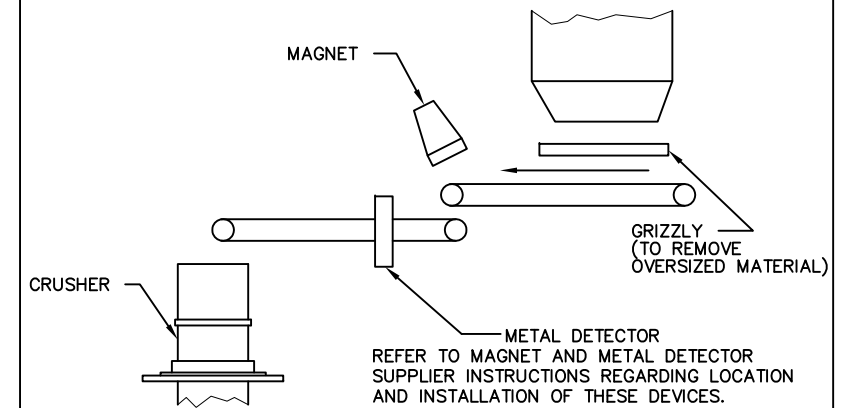
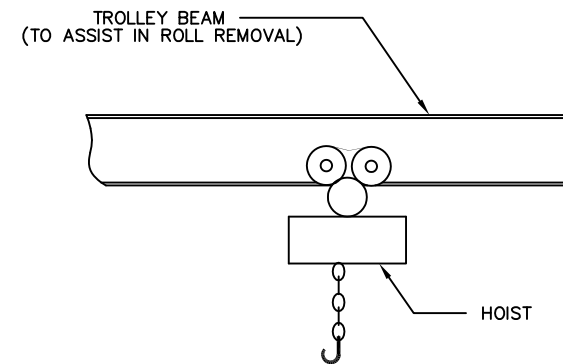
- 1) THIS IS A STANDARD SUGGESTED INSTALLATION DRAWING. IT IS NOT CUSTOMIZED FOR EACH UNIT, THEREFORE SPECIFIC OPTIONS FOR A CUSTOMER'S PARTICULAR UNIT MAY NOT BE SHOWN.
- 2) THIS DRAWING IS SUPPLIED FOR REFERENCE PURPOSES ONLY. IT IS NOT SUPPLIED FOR REVIEW/APPROVAL.

| HOIST SIZE (FOR ROLL REMOVAL ONLY) | |
|---------------------------------------|----------------|
| CRUSHER SIZE | HOIST CAPACITY |
| 20-60 | ONE TON |
| 70-80 | TWO TON |

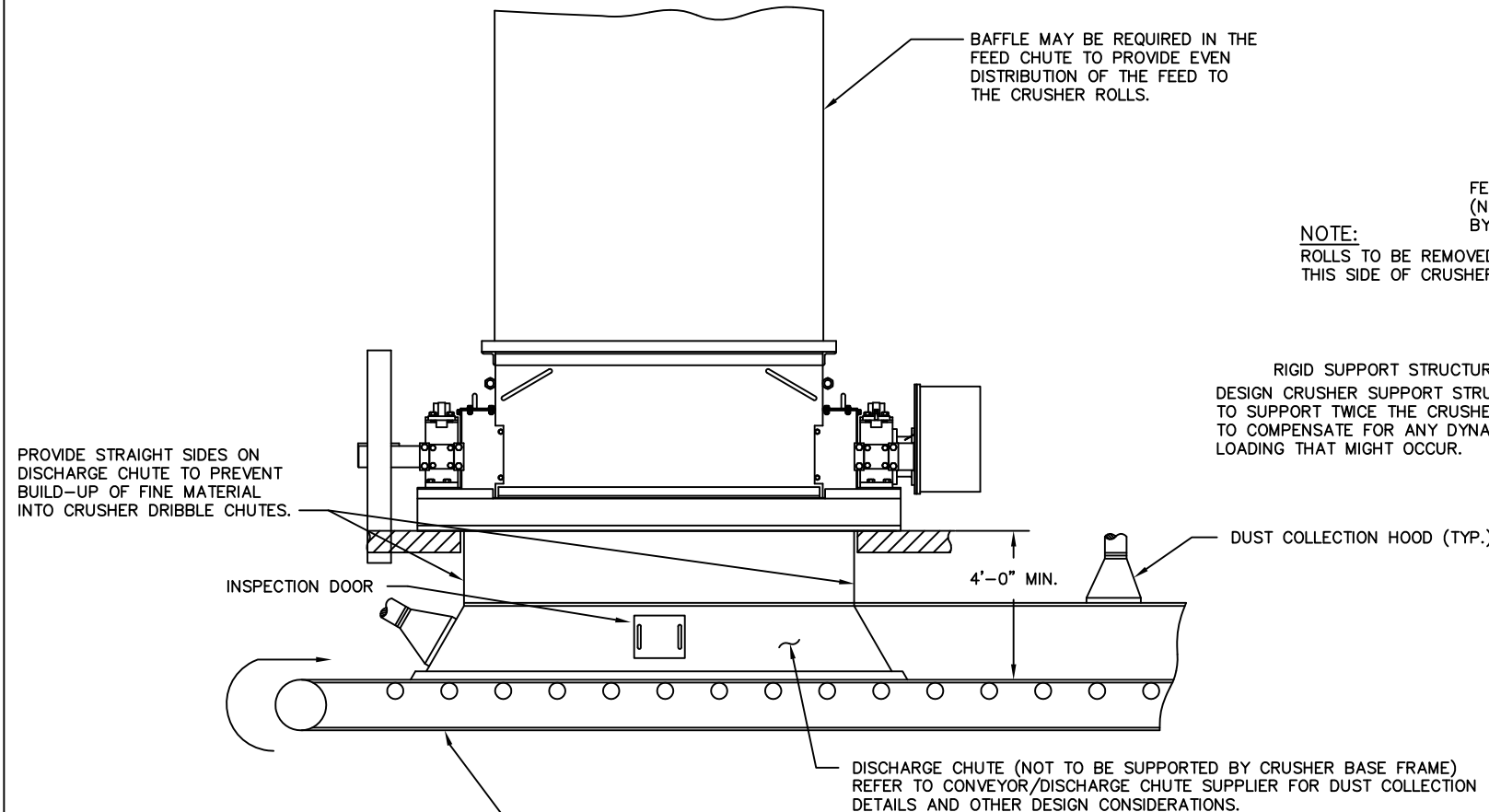


GENERATED AIRFLOWS FOR 3000S SERIES ROLL CRUSHERS

| ROLL LENGTH (IN) | SCFM | nm ³ /hr |
|------------------|-------|---------------------|
| 20 | 500 | 850 |
| 30 | 750 | 1,275 |
| 40 | 1,000 | 1,700 |
| 50 | 1,250 | 2,125 |
| 60 | 1,500 | 2,550 |
| 70 | 1,750 | 2,975 |
| 80 | 2,000 | 3,400 |



TRAMP METAL PROTECTION



PROVIDE STRAIGHT SIDES ON DISCHARGE CHUTE TO PREVENT BUILD-UP OF FINE MATERIAL INTO CRUSHER DRIBBLE CHUTES.

BAFFLE MAY BE REQUIRED IN THE FEED CHUTE TO PROVIDE EVEN DISTRIBUTION OF THE FEED TO THE CRUSHER ROLLS.

NOTE:
ROLLS TO BE REMOVED FROM THIS SIDE OF CRUSHER.

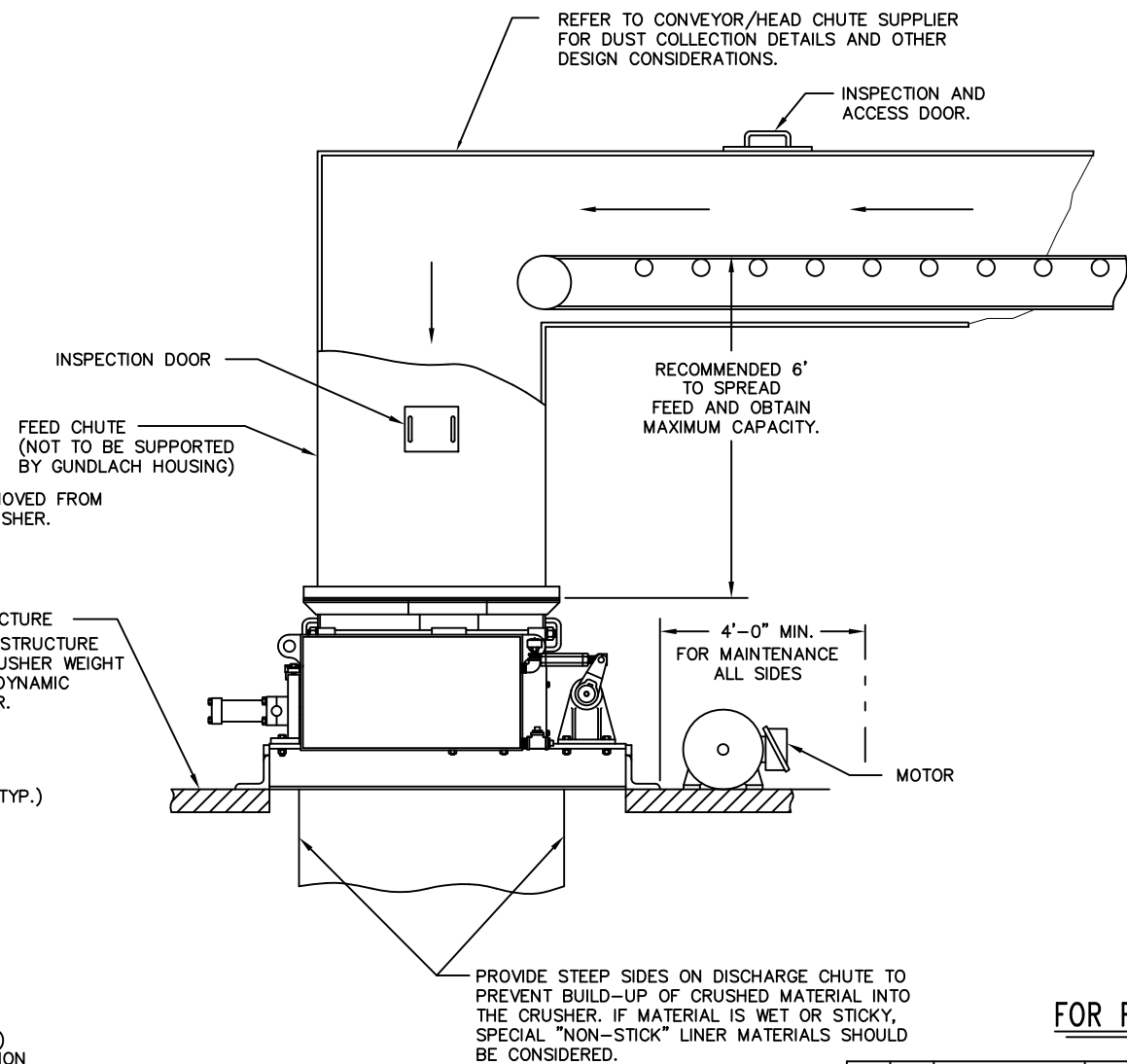
RIGID SUPPORT STRUCTURE DESIGN CRUSHER SUPPORT STRUCTURE TO SUPPORT TWICE THE CRUSHER WEIGHT TO COMPENSATE FOR ANY DYNAMIC LOADING THAT MIGHT OCCUR.

DUST COLLECTION HOOD (TYP.)

DISCHARGE CHUTE (NOT TO BE SUPPORTED BY CRUSHER BASE FRAME) REFER TO CONVEYOR/DISCHARGE CHUTE SUPPLIER FOR DUST COLLECTION DETAILS AND OTHER DESIGN CONSIDERATIONS.

DISCHARGE CONVEYOR THE DISCHARGE CONVEYOR SHOULD BE LOCATED WITH ADEQUATE CLEARANCE BELOW THE CRUSHER TO ELIMINATE BUILD-UP OF CRUSHED MATERIAL INTO THE CRUSHER DURING PERIODS OF SURGE LOADING.

Information on this drawing is proprietary and confidential. Details contained hereon shall not be used for the purpose of fabricating, machining or processing in any manner to produce a part or assembly, and the drawing cannot be reproduced without the express written permission by an authorized officer of GUNDLACH EQUIPMENT CORPORATION, Belleville, IL, U.S.A., without incurring infringement liability.



REFER TO CONVEYOR/HEAD CHUTE SUPPLIER FOR DUST COLLECTION DETAILS AND OTHER DESIGN CONSIDERATIONS.

INSPECTION AND ACCESS DOOR.

INSPECTION DOOR

FEED CHUTE (NOT TO BE SUPPORTED BY GUNDLACH HOUSING)

RECOMMENDED 6' TO SPREAD FEED AND OBTAIN MAXIMUM CAPACITY.

4'-0" MIN. FOR MAINTENANCE ALL SIDES

MOTOR

PROVIDE STEEP SIDES ON DISCHARGE CHUTE TO PREVENT BUILD-UP OF CRUSHED MATERIAL INTO THE CRUSHER. IF MATERIAL IS WET OR STICKY, SPECIAL "NON-STICK" LINER MATERIALS SHOULD BE CONSIDERED.

FOR REFERENCE ONLY

| ITEM | QTY. | PART NO. | DESCRIPTION |
|---|------|----------|---|
| GUNDLACH GUNDLACH EQUIPMENT CORPORATION BELLEVILLE, IL, U.S.A. | | | |
| TOLERANCES EXCEPT AS NOTED | | SCALE | DRAWN BY R. ALVEY |
| DECIMAL ±.015 | | NONE | APPROVED B. TAYLOR |
| FRACTIONAL ±1/32 | | MATERIAL | TITLE |
| ANGULAR ±1/4" | | | 3000S SERIES CRUSHER SUGGESTED INSTALLATION |
| SYMBOL | | DATE | DRAWING NUMBER |
| REVISION | | 8/13/80 | D0-1127-00 |

| SYMBOL | REVISION | DATE | BY | NEXT ASSEMBLY |
|--------|------------------------------------|----------|----|---------------|
| (H) | ADDED GEN. AIRFLOW CHART | 08-29-80 | RA | |
| (G) | GENERAL REVISIONS | 10-28-80 | RA | |
| (F) | TITLE WAS 18-80 SS & SSHD, REDRAWN | 08-18-80 | RA | |