

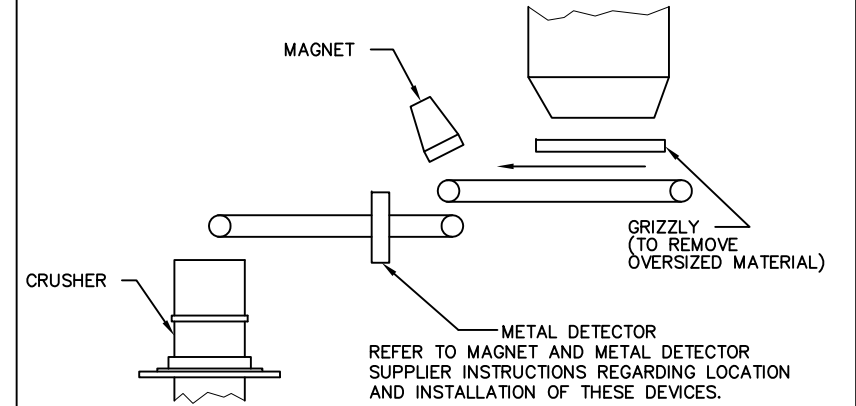
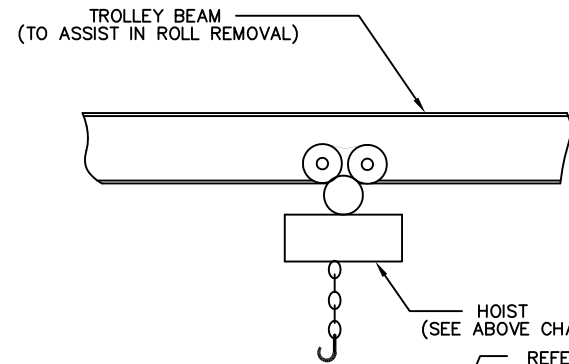
NOTES-

- 1) THIS IS A STANDARD SUGGESTED INSTALLATION DRAWING. IT IS NOT CUSTOMIZED FOR EACH UNIT, THEREFORE SPECIFIC OPTIONS FOR A CUSTOMER'S PARTICULAR UNIT MAY NOT BE SHOWN.
- 2) THIS DRAWING IS SUPPLIED FOR REFERENCE PURPOSES ONLY. IT IS NOT SUPPLIED FOR REVIEW/APPROVAL.

| HOIST SIZE (FOR ROLL REMOVAL ONLY) | |
|---------------------------------------|----------------|
| CRUSHER | HOIST CAPACITY |
| ④ 4020 | 1.5 TON |
| 4040 | 2 TON |
| 4060 | 3 TON |
| 4080 | 4 TON |
| ④ 4100 | 5 TON |

④ GENERATED AIRFLOWS FOR
4000D SERIES ROLL CRUSHERS

| ROLL LENGTH (in) | SCFM | nm ³ /hr |
|---------------------|-------|---------------------|
| 20 | 500 | 850 |
| 30 | 750 | 1,275 |
| 40 | 1,000 | 1,700 |
| 50 | 1,250 | 2,125 |
| 60 | 1,500 | 2,550 |
| 70 | 1,750 | 2,975 |
| 80 | 2,000 | 3,400 |
| 100 | 2,500 | 4,250 |



TRAMP METAL PROTECTION

REFER TO CONVEYOR/HEAD CHUTE SUPPLIER
FOR DUST COLLECTION DETAILS AND OTHER
DESIGN CONSIDERATIONS.

INSPECTION AND
ACCESS DOOR.

INSPECTION DOOR

FEED CHUTE
(NOT TO BE SUPPORTED
BY GUNDLACH HOPPER)

RECOMMENDED 6'
TO SPREAD
FEED AND OBTAIN
MAXIMUM CAPACITY.

RIGID SUPPORT STRUCTURE
DESIGN CRUSHER SUPPORT STRUCTURE
TO SUPPORT TWICE THE CRUSHER WEIGHT
TO COMPENSATE FOR ANY DYNAMIC
LOADING THAT MIGHT OCCUR.

4'-0" MIN.
FOR MAINTENANCE
ALL SIDES

NOTE:
ROLLS TO BE REMOVED FROM
THIS SIDE OF CRUSHER.

MOTOR

PROVIDE STEEP SIDES ON DISCHARGE CHUTE TO
PREVENT BUILD-UP OF CRUSHED MATERIAL INTO
THE CRUSHER. IF MATERIAL IS WET OR STICKY,
SPECIAL "NON-STICK" LINER MATERIALS SHOULD
BE CONSIDERED.

FOR REFERENCE ONLY

PROVIDE STRAIGHT SIDES ON
DISCHARGE CHUTE TO PREVENT
BUILD-UP OF FINE MATERIAL
INTO CRUSHER DRIBBLE CHUTES.

BAFFLE MAY BE REQUIRED IN THE
FEED CHUTE TO PROVIDE EVEN
DISTRIBUTION OF THE FEED TO
THE CRUSHER ROLLS.

DUST COLLECTION HOOD (TYP.)

INSPECTION DOOR

4'-0" MIN.

DISCHARGE CHUTE (NOT TO BE SUPPORTED BY CRUSHER BASE FRAME)
REFER TO CONVEYOR/DISCHARGE CHUTE SUPPLIER FOR DUST COLLECTION
DETAILS AND OTHER DESIGN CONSIDERATIONS.

DISCHARGE CONVEYOR

THE DISCHARGE CONVEYOR SHOULD BE LOCATED
WITH ADEQUATE CLEARANCE BELOW THE CRUSHER
TO ELIMINATE BUILD-UP OF CRUSHED MATERIAL
INTO THE CRUSHER DURING PERIODS OF SURGE LOADING.

Information on this drawing is proprietary and confidential
Details contained hereon shall not be used for the purpose of fabricating,
machining or processing in any manner to produce a part or assembly, and
the drawing cannot be reproduced without the express written permission by
an authorized officer of GUNDLACH EQUIPMENT CORPORATION, Belleville, IL, U.S.A.,
without incurring infringement liability.

| SYMBOL | REVISION | DATE | BY | NEXT ASSEMBLY |
|--------|--------------------------|--------|-----|---------------|
| ④ | ADDED GEN. AIRFLOW CHART | 12-18 | MLB | PD |
| ④ | GENERAL REVISIONS | 10-27 | RA | PD |
| ④ | ADDED 4100 TO CHART | 02-28 | RA | PD |
| ④ | ADDED 4020 TO CHART | 1/4/99 | DMB | DMB |
| ④ | TITLE WAS DSA CRUSHER | 08-15 | RA | DMB |

| ITEM | QTY. | PART NO. | DESCRIPTION |
|---|------|----------|---|
| <p>TOLERANCES EXCEPT AS NOTED</p> <p>DECIMAL</p> <p>FRACTIONAL</p> <p>ANGULAR</p> | | | |
| <p>GUNDLACH GUNDLACH EQUIPMENT CORPORATION BELLEVILLE, IL, U.S.A.</p> | | | <p>SCALE NONE</p> <p>DRAWN BY G. McBRIDE</p> <p>APPROVED BY MGH</p> |
| <p>TITLE 4000D SERIES CRUSHER SUGGESTED INSTALLATION</p> | | | <p>DATE 07-18-89</p> <p>DRAWING NUMBER D0-1823-00</p> |