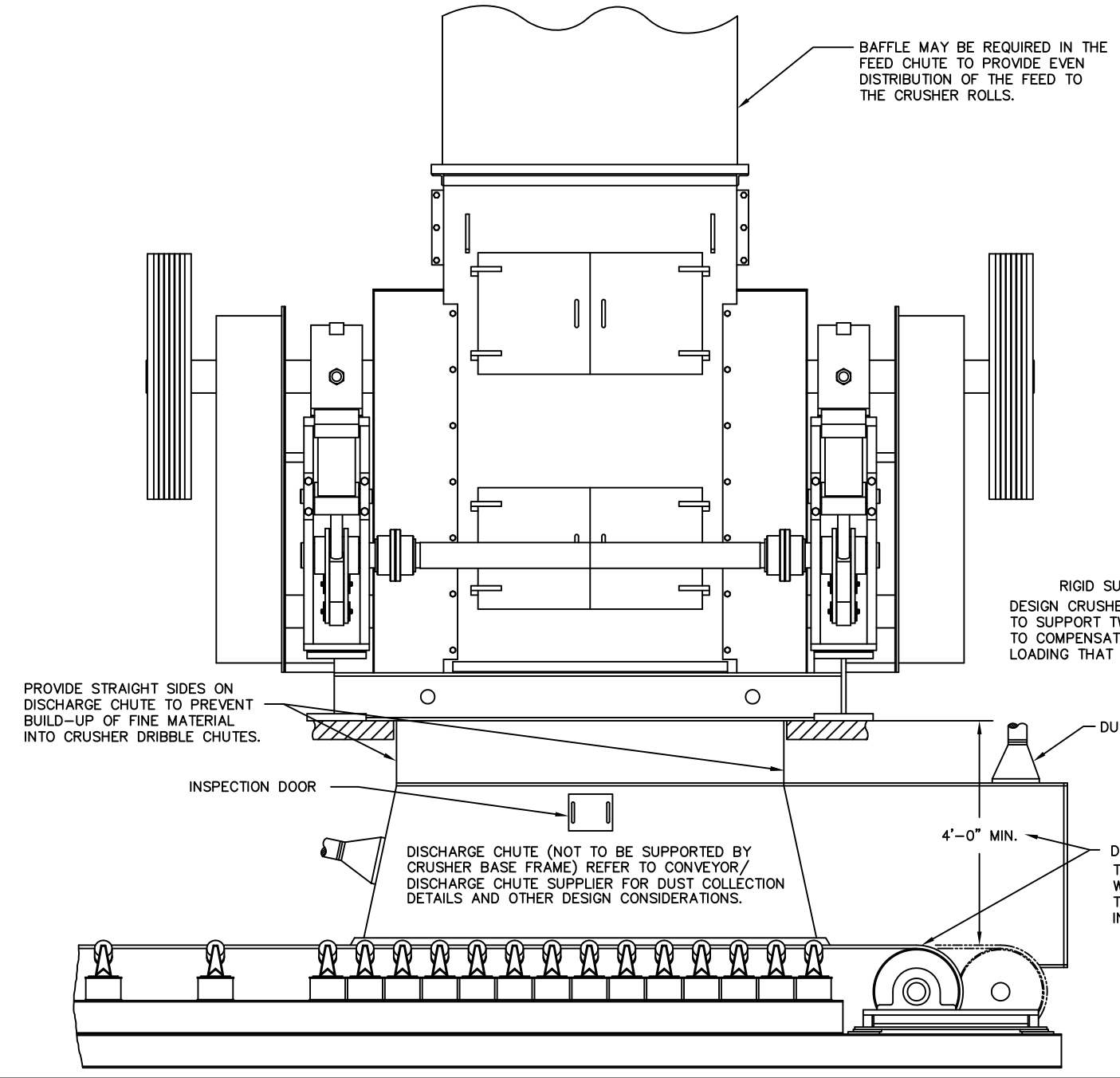
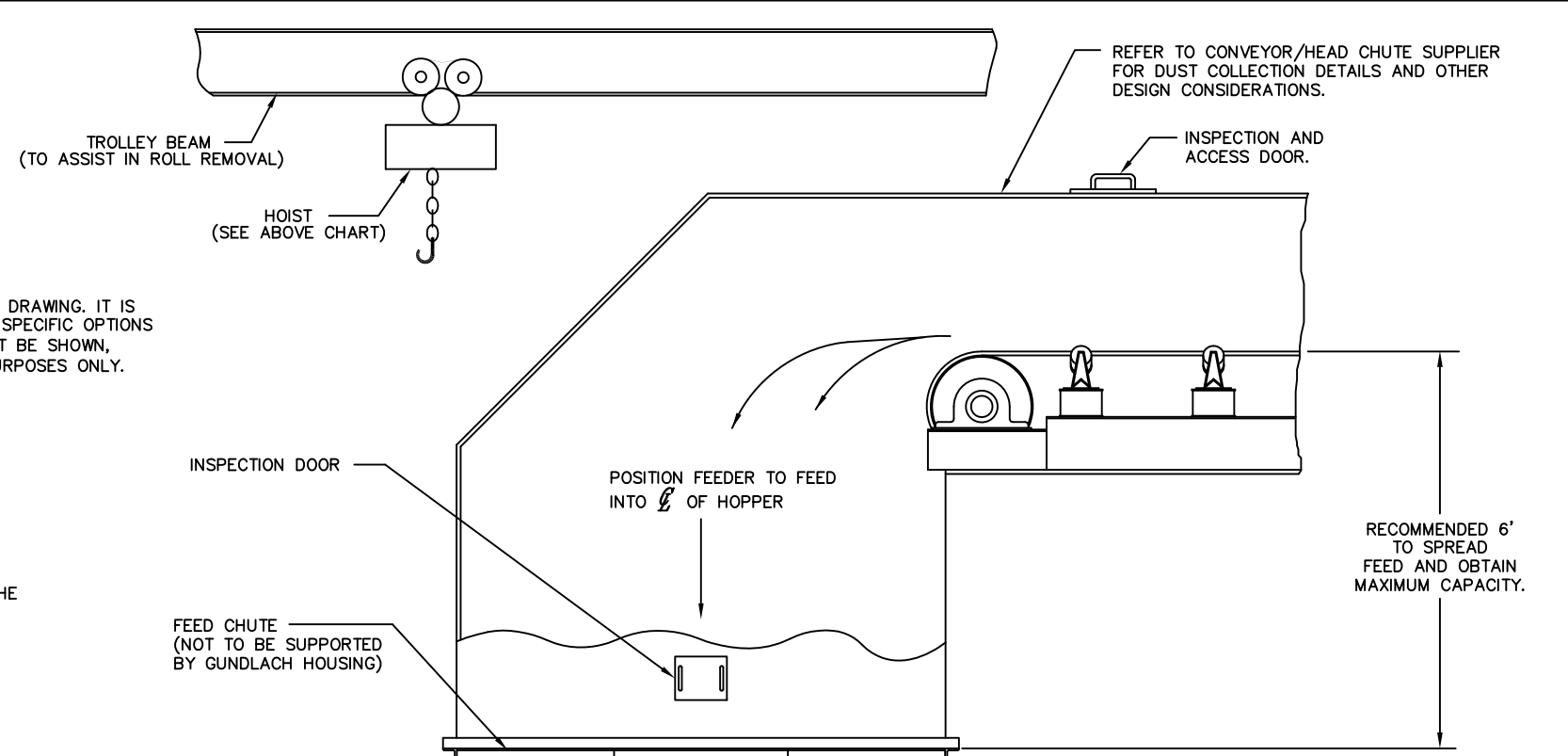


**TRAMP METAL PROTECTION**

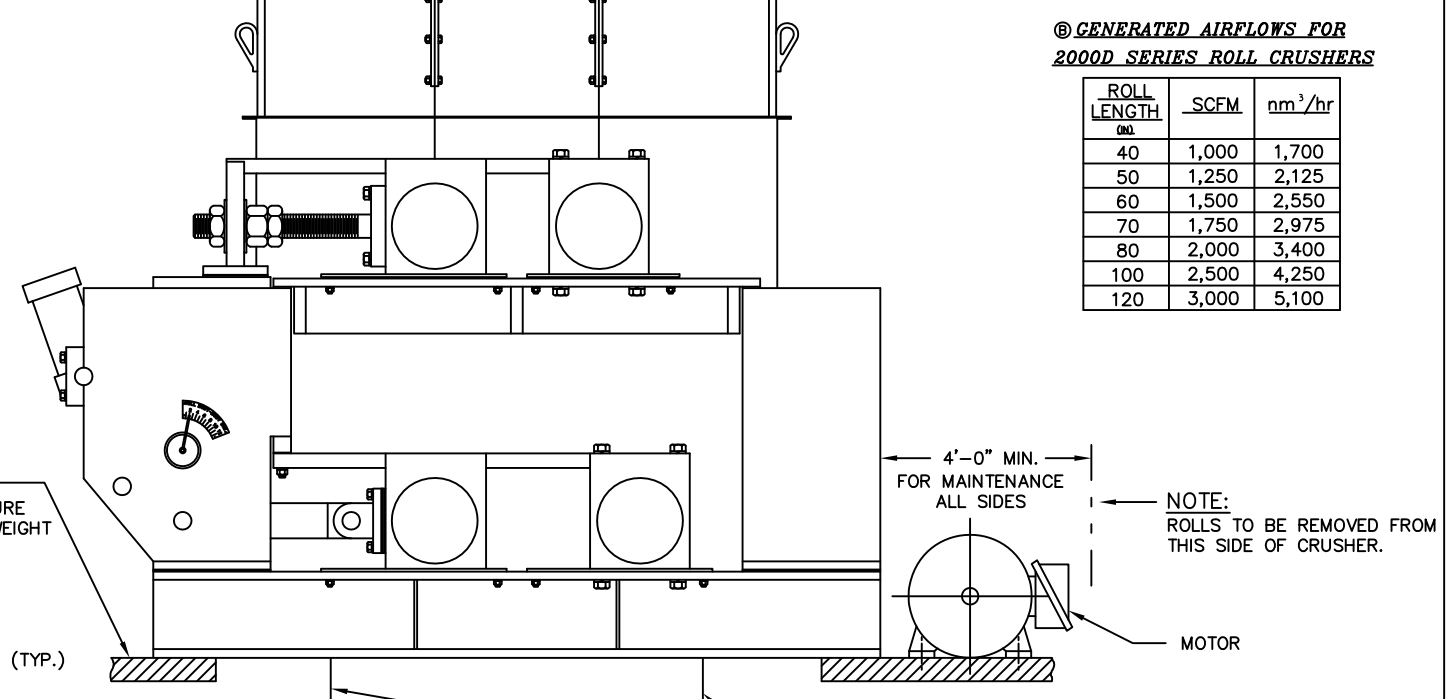
HOIST SIZE (FOR ROLL REMOVAL ONLY)	
CRUSHER	HOIST CAPACITY
5040	3 TON
5060	4 TON
5080	5 TON
5100	6 TON
5120	7 TON

- NOTES—
- 1) THIS IS A STANDARD SUGGESTED INSTALLATION DRAWING. IT IS NOT CUSTOMIZED FOR EACH UNIT, THEREFORE SPECIFIC OPTIONS FOR A CUSTOMER'S PARTICULAR UNIT MAY NOT BE SHOWN.
  - 2) THIS DRAWING IS SUPPLIED FOR REFERENCE PURPOSES ONLY. IT IS NOT SUPPLIED FOR REVIEW/APPROVAL.



**GENERATED AIRFLOWS FOR 2000D SERIES ROLL CRUSHERS**

ROLL LENGTH (IN)	SCFM	nm <sup>3</sup> /hr
40	1,000	1,700
50	1,250	2,125
60	1,500	2,550
70	1,750	2,975
80	2,000	3,400
100	2,500	4,250
120	3,000	5,100



**FOR REFERENCE ONLY**

ITEM	QTY.	PART NO.	DESCRIPTION
TOLERANCES EXCEPT AS NOTED			
DECIMAL			
FRACTIONAL			
ANGULAR			
MATERIAL			
SCALE	NONE		DRAWN BY R. ALVEY
			APPROVED BY DTM
TITLE	5000D (40-120) CRUSHER SUGGESTED INSTALLATION		
DATE	01-05-09	DRAWING NUMBER	J0-1106-00
REVISION		REVISION	

Information on this drawing is proprietary and confidential. Details contained hereon shall not be used for the purpose of fabricating, machining or processing in any manner to produce a part or assembly, and the drawing cannot be reproduced without the express written permission by an authorized officer of GUNDLACH EQUIPMENT CORPORATION, Belleville, IL, U.S.A., without incurring infringement liability.