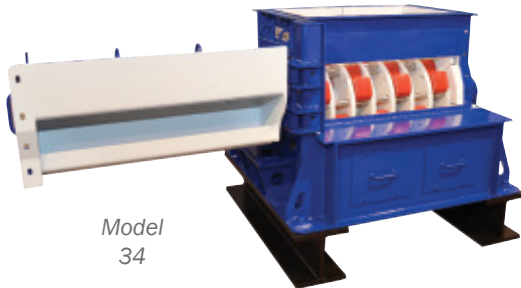
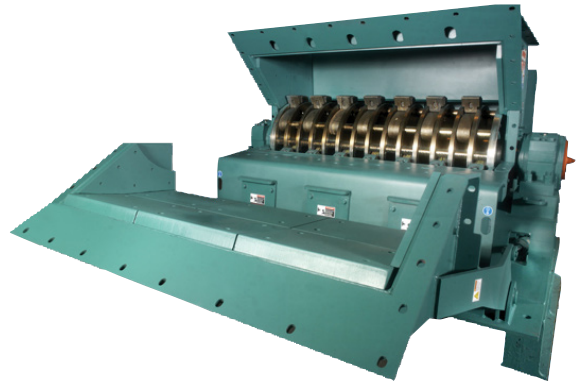


Combining the benefits of the compression crushing concept of roll crushers with the high capacity of impact crushers.



Model
34



Models
45 & 56

TerraSource Global's Jeffrey Rader Flextooth crushers combine the benefits of shear/attrition crushing with the high capacity of impact crushers. The Flextooth hammer design operates at slower speeds to use horsepower per ton and protect itself against damage from uncrushables.

We manufacture multiple sizes and configurations of our Flextooth crushers. To help determine the best model for you, we provide direct consultation with our engineering team at our Demonstration & Testing Center. Our engineers will run your material through full-production units and perform a detailed analysis of the results. They'll work with you to determine the right size and configuration for your critical processes based on the extensive testing data. Go to TerraSource.com or ask your local sales representative for more details.

Gain optimal value for your investment

- 12:1 reduction ratio resizes with minimum fines
- Large feed opening and extended lower housing diminish need for a second crusher
- Slower operating speed lengthens part life and uses less horsepower per ton
- 180 ° screen bar area provides highest capacity while accurately sizing

Minimize your downtime and enhance workplace safety

- EZ-Access™ Technology enables safe, fast, and easy access to wear components to quickly clear plugged chutes and perform routine maintenance
- Drilled and tapped rotors allow quick hydraulic removal of bearings and avoid damaging the shaft
- External fastenings prevent broken bolt heads and falling liners

Configure machines to evolve with your business

You can adapt your equipment to create an even more efficient critical business process.

- Disc rotor design creates maximum potential hammer configurations
- Assortment of screen grate and hammer materials provide greatest adaptability
- Unique hammer profiles meet the requirements of diverse operations

Built to last

- Sturdy structural steel plate housing reduces harmful vibrations and endures continuous use
- Abrasion-resistant steel parts extend service life
- Self-aligning spherical roller bearings smoothly handle large loads

Hammers

- Ultralloy® material produces ultimate performance
- Heat treatment strengthens part and extends life
- Cantilevered-movement design flexes hammers out of the crush zone to permit passage of uncrushables
- Duratip® replaceable tip design decreases downtime

Slant-Flow® Grates

These abrasion-resistant grates angle with the flow of material to force the material to evacuate

- Faster evacuation
- Greater shredding action
- Less clogging
- Reduced wear
- More uniform product

JEFFREY RADER Flextooth[®] Crushers

FT/FTE Flextooth[®] Crushers

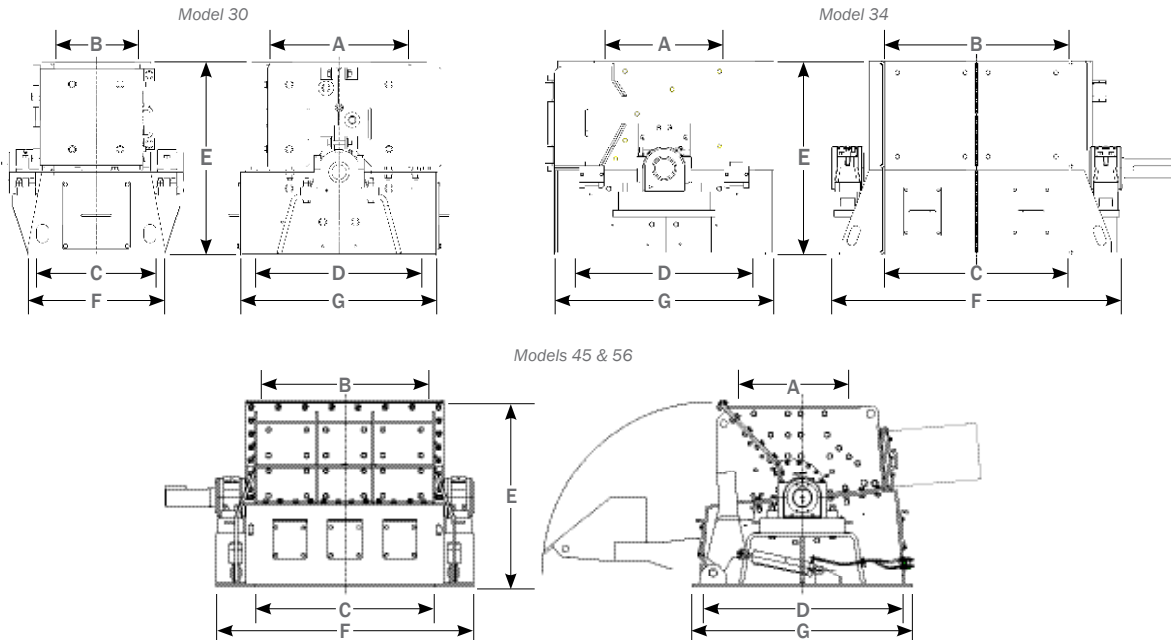
Features/Advantages (continued from other side)

Benefit from a long-term partnership

Our teams of experts support you throughout the purchasing process and the life of your Flextooth crusher. Count on TerraSource Global to

- Improve your operation's success with our application expertise
- Maintain original OEM performance with precision parts and our rebuild program
- Ensure smooth unit integration with skilled start-up and installation assistance
- Apply our extensive knowledge to train and support operators and maintenance personnel

Dimensions and Weights



MODEL NO.	IN. (MM) FEED OPENING		APPROXIMATE LAYOUT DIMENSIONS* AND SHIPPING WEIGHTS DISCHARGE OPENING		HEIGHT E	WIDTH F	LENGTH G	LBS (KG)
	A	B	C	D				
30	21" (533)	21.25" (540)	22.5" (572)	35" (889)	36" (914)	40" (1016)	42.25" (1073)	3,000 (1,361)
34	33.5" (851)	21.25" (540)	33.5" (851)	46" (851)	37" (940)	51" (1295)	53" (1346)	4,500 (2,041)
45	41.5" (1054)	25.5" (648)	43.5" (1105)	57" (1448)	55.5" (1410)	63" (1600)	64" (1626)	10,300 (4,672)
56	53.5" (1359)	33.5" (851)	56" (1422)	77" (1956)	63" (1600)	85.5" (2172)	82.5" (2096)	20,200 (9,163)
59	33.38" (848)	74.5" (1892)	77" (1956)	77" (1956)	69" (1753)	108.5" (2756)	84" (2159)	38,600 (17,509)
61	36.5" (927)	89.5" (2273)	88.5" (2248)	88" (2261)	65" (1753)	138.5" (3518)	96" (2464)	40,100 (18,189)

*Certified drawings will be furnished for installation. Installation supervision is available.

Contact your local sales representative to learn more about the benefits of a long-term partnership with TerraSource Global.

TERRASOURCE
GLOBAL
OUR FLAGSHIP BRANDS

GUNDLACH CRUSHERS **JEFFREY RADER**  **Pennsylvania** Crusher 

www.terraresource.com ■ info@terraresource.com