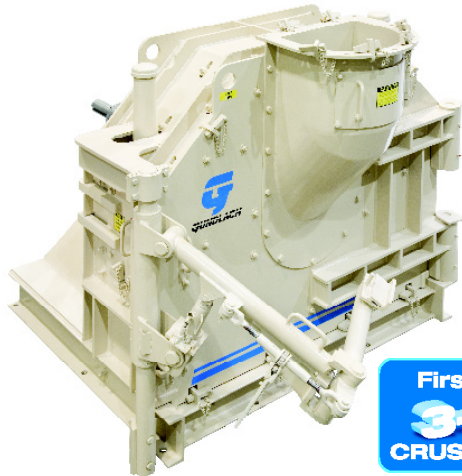
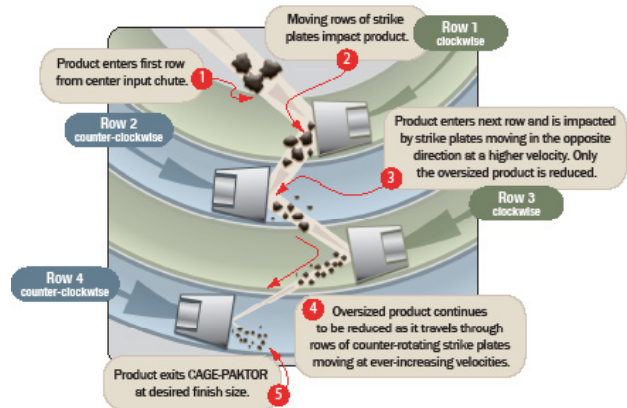


The Cage Mill designed for the lowest product oversize, highest product yield and best crushing efficiency.



First in
3-D
CRUSHING



Features/Advantages

Versatility

Sizes up to 125 mm feeds to 2 mm product.

Uniform Crushing

Materials with sufficient mass are crushed while already-to-size materials pass through.

Economy

Economical design requires no screens and only crushes oversized material. More selective crushing reduces power requirements and operating costs. Putting both drives on one side minimizes cost and maximizes productivity.

Compact

Unique design requires less floor space.

No Adjustments Needed

The striking plate maintains desired product size during the life of the plate.

Easy Maintenance

Swing-away door gives immediate cage access without the need to remove components.

How It Works

Crushing in the CAGE-PAKTOR is controlled by two key factors – the mass of the particle and the velocity at which the particle is hit. The CAGE-PAKTOR utilizes multiple rows of impact bars to offer selective stages of impact reduction. The beauty is in its simplicity – operating speed (rpm) is the only factor that affects product size. Only particles large enough in mass are affected as they

pass through the counter-rotating cages. Already-to-size particles produced from previous stages of reduction are not reduced; therefore, less fines are created. Meanwhile, the multiple stages of crushing inside the CAGE-PAKTOR minimize product oversize, achieve greater crushing efficiency and produce more product in the size range desired.

More “Selective” Crushing Equals Less Horsepower

The CAGE-PAKTOR “selectively” crushes your material. Already-to-size particles pass through the crusher without major effect. Horsepower required is in direct proportion to the work performed by the crusher. More selective crushing reduces horsepower requirements. The result: lower operating cost.

Constant Material Processing Control

Through its design, the CAGE-PAKTOR controls the path of material as it passes through the multiple stages of impact. Gundlach’s patented striking plate design maintains desired product size during the life of the plates. The result: adjustments for wear are unnecessary, resulting in constant processing control.

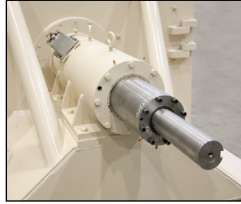
Cage-Paktor® 2C4R

Cage-Paktor® 2C4R

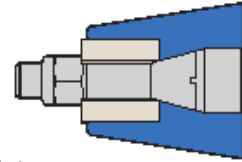
Features/Advantages (continued from other side)

Exclusive Shaft-Within-a-Shaft Design Makes for Small Footprint and Easy Maintenance

- Shaft-Within-a-Shaft design makes the CAGE-PAKTOR an exceptionally compact cage mill. In addition to taking up less floor space, this exclusive design keeps the motor(s) to one side, making the CAGE-PAKTOR the industry's easiest-maintenance cage mill.
- The swing-away door opens without removing any components to give immediate cage access.
- Overhead cranes and extra help are eliminated to remove cages for repair with an optional cage jack.



- Available with either fully-welded, hardfaced cages (no replaceable strikers) or cages with easily replaceable "wrap-around" striking plates.



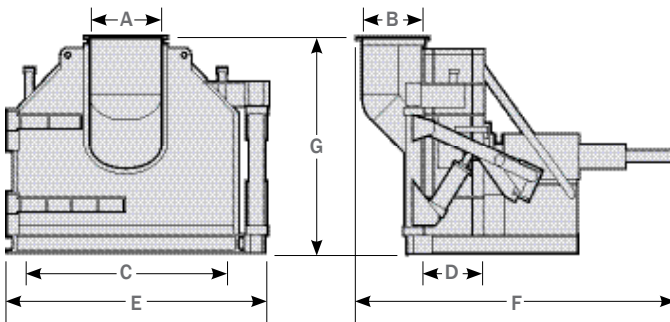
- TerraSource Global provides connections for optional Air-Cannon System. This keeps even the stickiest material from building up and clogging the CAGE-PAKTOR.



An optional cage jack is available to aid in cage removal.

With these features the CAGE-PAKTOR is the first cage mill to make cage replacement fast and easy. Only TerraSource Global's exclusive cage mill design saves you hours of labor by eliminating drive removal, realignment and setup.

Dimensions and Weights



Excelling in Applications That Require Various Product Sizes:

Calcined Anthracite • **Coal Middlings** for ash and sulfur separation • **Closely-Sized Fine Limestone** for glass manufacture and poultry feed supplement • **Coal** for cyclone boiler feed, FB boilers, fuel injection into blast furnaces and pipeline feed • **Coke Breeze** for recycle to coke ovens • **Fertilizer** • **Glass Sand** • **Iron Ores** • **Lightweight Aggregates** • **Limestone** for FB boilers • **Metal-Bearing Ores** • **Refractory Materials** • **Silica** • **Sintered Fly Ash** • **Slags** • **Stone Sand** • **Tailings**

MODEL**	IN. (MM)		APPROXIMATE LAYOUT DIMENSIONS* AND SHIPPING WEIGHTS				WEIGHT LBS (KG)	
	INLET OPENING A	B	DISCHARGE OPENING C	D	WIDTH E	LENGTH F		HEIGHT G
40" (1016)	14" (356)	14" (356)	56" (1422)	18" (457)	74" (1880)	89" (2261)	64" (1626)	9,050 (4,105)
50" (1270)	21" (533)	19" (483)	70" (1778)	24" (610)	90" (2286)	112" (2845)	79" (2007)	16,450 (7,462)
75" (1905)	33" (838)	29" (737)	105" (2667)	29" (737)	142" (3607)	163" (4140)	112" (2845)	44,000 (19,958)

* Certified drawings will be furnished for installation. Installation supervision is available.
** Opposed shaft designs and laboratory size units are also available.

Contact your local sales representative to learn more about the benefits of a long-term partnership with TerraSource Global.

TERRASOURCE
GLOBAL

OUR FLAGSHIP BRANDS

GUNDLACH CRUSHERS **JEFFREY RADER** **Pennsylvania Crusher**

www.terrasource.com | info@terrasource.com