



INTRODUCING THE PREMIUM BRUTE ARMOR™ LINE OF



SLANT-FLOW® SCREEN GRATES WITH ADVANCED WEAR-RESISTANT STEEL

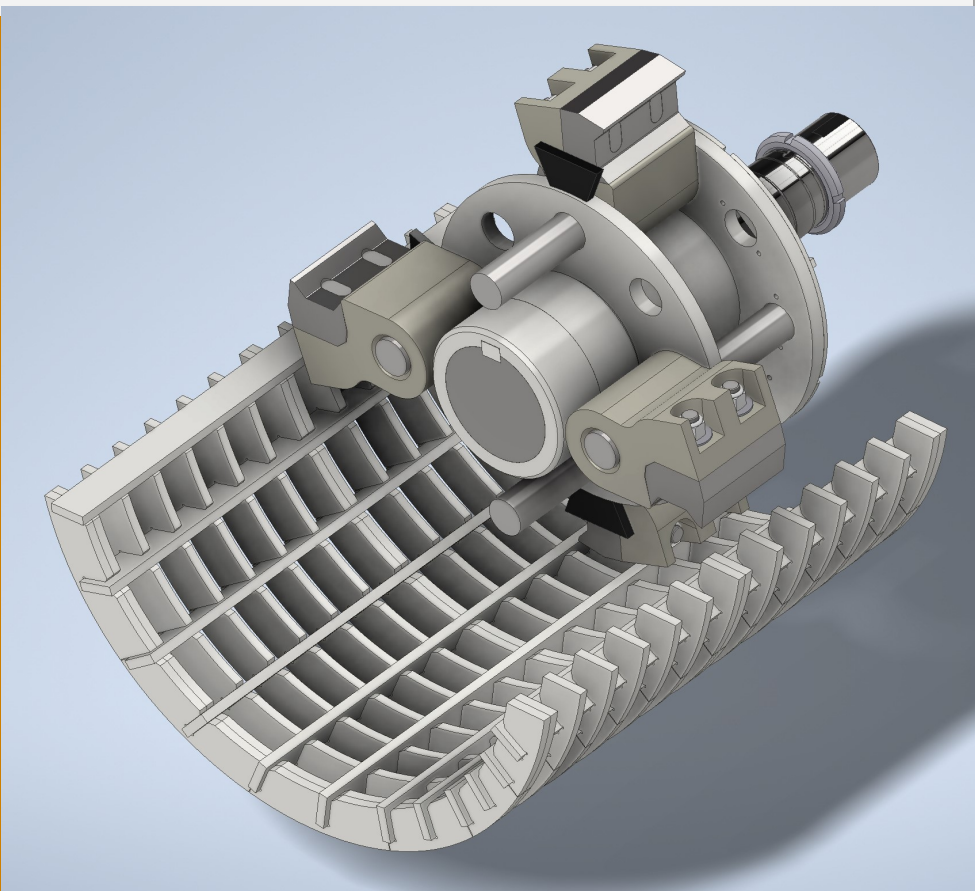
Customers worldwide trust our OEM *Slant-Flow® Screen Grates* to provide the most productivity, durability and value for their business. And for operations demanding minimum maintenance and maximum tramp-metal resistance, we're proud to introduce *Brute Armor™* premium screen grate materials, the strongest and longest-wearing product on the market.

The one-two punch of Brute Armor's chemistry and proprietary production processes means

- The highest level of durability, efficiency and performance.
- Maximum up-time for your operations. Cages are built to withstand the toughest conditions.

How?

- Tight chemistry controls assure that our premium alloys produce ***the most wear-resistant steel.***
- Enriched nickel content and our proprietary heat treatment process provide a level of toughness and strength that optimizes ***resistance to deformation and gouging by tramp impacts.***
- Precisely controlled carbon and hydrogen levels ensure ***high-quality weld fusion.***
- Our unique heat-treatment process maximizes wear life by delivering ***optimal***



hardness throughout the entire plate thickness, unlike common AR plates.

Improve your operation's productivity and maintenance efficiency. Contact your local TerraSource representative today or drop us a line at **+1 866-231-8153**, info@terrasource.com or <https://terrasource.com/contact-us-2/>