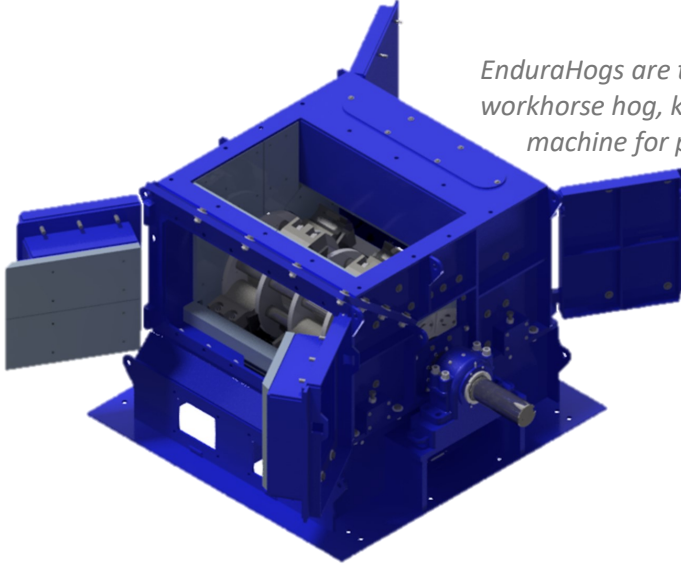




ENDURA HOG
THE BOSS OF MATERIAL CRUSHING™

EnduraHog Classic & SuperSlugger EZ-Access™ Hogs



EnduraHogs are the next generation of the original **JEFFREY RADER** workhorse hog, known for decades as the most reliable and durable machine for precise sizing of wood and bark. Available in various horizontal and vertical configurations, customers also benefit from re-engineered housings that feature ultra-large access doors and other service-focused design enhancements for the easiest, safest and fastest maintenance for your operation.

Unique Advantages of EnduraHog Machines

EZ-Access Technology

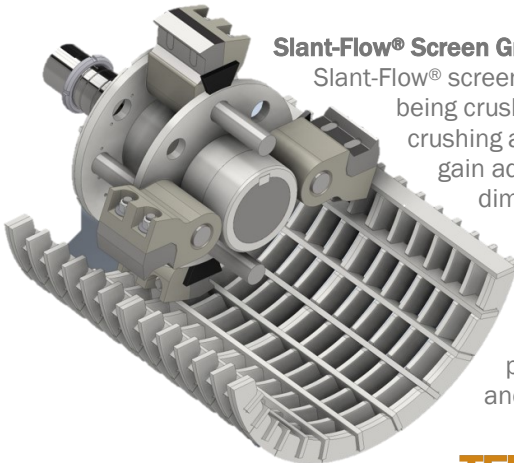
EnduraHog Classics build off Jeffrey Rader's exclusive EZ-Access™ technology with new housing upgrades and ultra-large doors that offer the safest, fastest, and easiest access to hammers, rotor, and liners. Maintenance operators can quickly perform routine maintenance with minimal downtime and lower risk of injury. No other machines on the market offer customers the Classic's mix of performance, ease of use and low cost of ownership.

Heavy-Duty Rotor Design

Our disc-type rotor is assembled on a high-strength, alloy-steel shaft and is mounted in self-aligning spherical roller bearings in rugged, specialized steel housings. Rotor discs allow maximum flexibility of hammer arrangements. Jeffrey Rader rotors can be set up with 3, 4, or 6 rows of hammers for premium efficiency when crushing to a smaller product size.

Slant-Flow® Screen Grates

Slant-Flow® screen grates, unique to our EnduraHogs, are angled into the flow of material being crushed. This patented design enables higher capacity, provides more crushing action and allows the material to evacuate faster. In addition, customers gain additional efficiency and cost-effectiveness due to less clogging and diminished fines, with less chance for overall operational failure



New Brute Armor™ screen grates now available!

For operations demanding minimum maintenance and maximum tramp-metal resistance, we're proud to introduce Brute Armor™ premium screen grate materials with wear-resistant steel, the strongest and most durable product you can buy.



TERRASOURCE
GLOBAL

+1-855-483-7721 ■ www.terrasource.com ■ info@terrasource.com

Hammer Design

Several reversible hammer designs are available for both standard and SuperSluggger design rotors. The newest and most popular offerings are our Duralife® premium, wear-resistant hammers and tips. Replaceable Duratips® are designed to provide optimal crushing action, longer wear and quick change-out during maintenance periods. Solid, reversible hammers can be enhanced with Ultralloy® materials and additional hard coating for optimal crushing performance, all in many application-specific sizes and configurations. Each Duralife® hammer is built to complement our Brute Armor™ premium screen grates and break bars, all adding up to the most durable, high-performance OEM crushing parts portfolio for any operation.



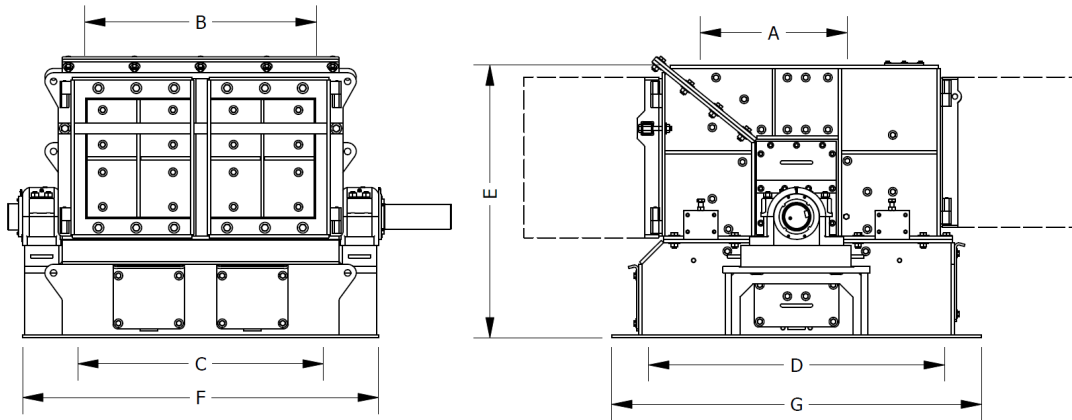
EnduraHog SuperSluggger – For the Most Challenging Applications

If your application requires significant size reduction of the biggest wood infeeds – whether its railroad ties, wooden spools, large diameter timber and so on – the SuperSluggger and its extra heavy hammers are the best choice for your operation.

The SuperSluggger rotor incorporates heavier and wider hammers to process larger, heavier infeed pieces. Typically, the hammers in this rotor are twice the weight of our standard Classic hammers. The rotor also incorporates a larger diameter shaft, thick rotor discs, and in some models, larger hammer pins. The swing hammer design, unlike solid rotors, helps minimize damage when uncrushable material, such as steel, enters the machine.



EnduraHog Dimensions & Weights



MODEL	IN. (MM)		APPROXIMATE LAYOUT DIMENSIONS* AND SHIPPING WEIGHTS					LBS (KG)
	FEED OPENING	DISCHARGE OPENING	HEIGHT	WIDTH	LENGTH			
	A	B	C	D	E	F	G	
45WBE	42" (1067)	25.5" (648)	44" (1118)	57" (1448)	54" (1372)	63" (1600)	64" (1626)	10,100 (4,581)
55WBE	43" (1092)	33.5" (851)	46" (1168)	77" (1956)	63" (1600)	86" (2184)	72" (1829)	16,400 (7,739)
56WBE	54" (1372)	33.5" (851)	56" (1422)	77" (1956)	63" (1600)	86" (2184)	83" (2108)	18,600 (8,437)
58WBE	64" (1626)	33.5" (851)	67" (1702)	77" (1956)	69" (1753)	84" (2134)	98" (2489)	25,100 (11,385)
66WBE	53" (1346)	33" (838)	57" (1448)	86" (2184)	78" (1981)	93" (2362)	89" (2261)	31,700 (14,379)
68WBE	67" (1702)	33" (838)	71" (1803)	86" (2184)	78" (1981)	93" (2362)	113" (2870)	39,100 (17,735)

*Certified drawings will be furnished for installation. Installation supervision is available.

TERRASOURCE
GLOBAL

+1-855-483-7721 ■ www.terrasource.com ■ info@terrasource.com

© 2021 TerraSource Global.
All Rights Reserved.

EnduraHog® Classic & SuperSluggger EZ-Access™ Wood/Bark Hogs