

For extra high capacity, fine-grinding of salts and fertilizers including nitrate, phosphate and potash and other friable materials.



Features/Advantages

Whatever your fine-grinding application, the NANOSIZ-R HC single-stage roll mill delivers crushing performance that provides a real edge in your day-to-day operations. It's compact, it's affordable and it's perfect for making 2 to 4 mm (.08" to .16") product.

- Bimodal crushing (shear plus compression) of friable materials from 19 mm (.75") feeds to 3200-micron (.125") product.
- High tonnage crushing capability — up to 120 metric tons (132 short tons) per hour for material with a bulk density of 1,121 kgs/m³ (70 lbs/ft³).
- Lower capital and energy costs than existing technologies.
- Small footprint compared to other equipment, so fits in small spaces.

Versatility

The NANOSIZ-R HC is built on Gundlach Crusher's innovative and reliable roll mill technology used in the coal industry. Proven in fine-grinding applications, it's ideal for many different salts and fertilizers as well, providing better control of the finished product size range. Whether you're processing nitrate, phosphate or potash ... with flake, agglomerated, hot or dry materials ... there's a NANOSIZ-R HC well-equipped to get your fine-grinding job done.

Variety of Rugged, Long-Lasting Roll Designs

There are multiple configurations available to meet your specific applications or crushing needs.

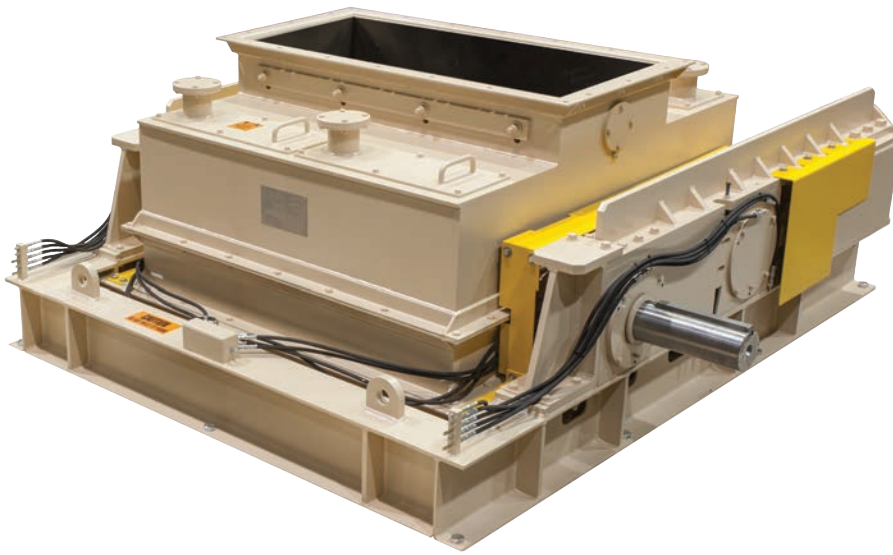
Why Gundlach?

Gundlach is your best resource for reliable performance. Our customers report online service of 98% with our equipment! That level of reliability is the result of the quality construction and high-performance features found in the NANOSIZ-R HC, such as:

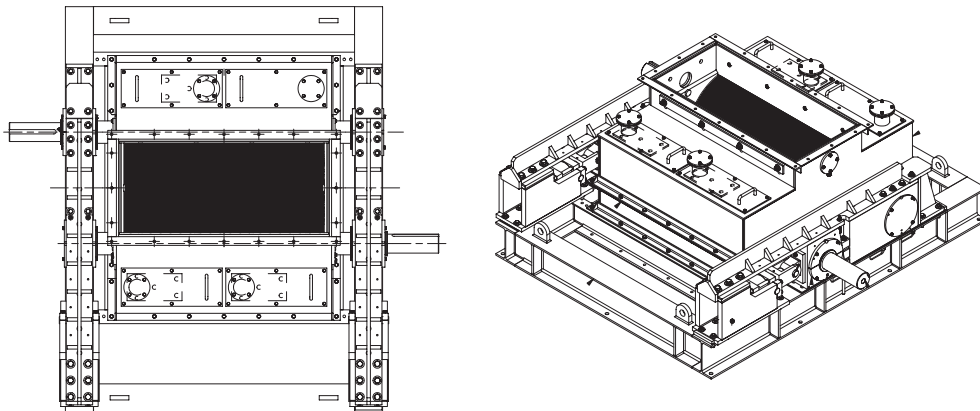
- 813 mm (32") rolls constructed of alloyed iron for high surface hardness.
- Heavy-duty steel construction in frame and housing.
- Close-clearance double-row spherical roller bearings with cartridge seals.
- Tightly sealed housing with airflow management ports.
- Roll gap adjustment via a simple hydraulic/mechanical system with accuracy to thousandths of an inch.
- Adjustable side and end liners for close fit to roll elements.
- Flanged input and discharge connections.

OUR FLAGSHIP BRANDS

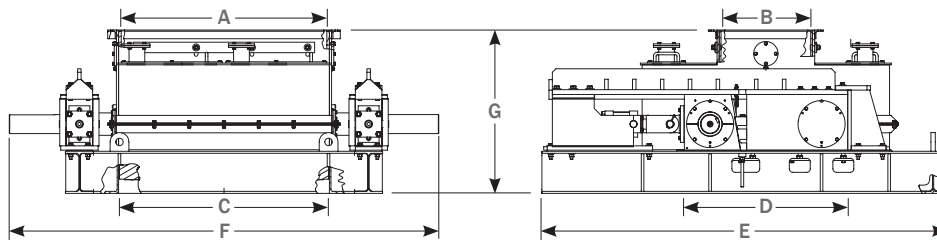




Dimensions and Weights



FRONT OF CRUSHER



MODEL	MM (IN.) INLET OPENING		DISCHARGE OPENING		LENGTH E	WIDTH F	HEIGHT G	WEIGHT KG (LBS.)
	A	B	C	D				
460HC	1499 (59)	654 (25-3/4)	1537 (60-1/2)	1778 (70)	2953 (116-1/4)	3131 (123-1/4)	1191 (46-7/8)	14,792 (32,610)

* Certified drawings will be furnished for installation. Installation supervision is available.

OUR FLAGSHIP BRANDS



www.terrasource.com

Call +1 855-483-7721 or email info@terrasource.com to find the sales representative nearest you.