



EnduraHogs™ are the next generation **JEFFREY RADER** workhorse hogs, known for decades as the most reliable and durable machines for precise sizing of materials. Available in various configurations and sizes, customers also benefit from re-engineered housings that feature ultra-large access doors and other service-focused design enhancements for the easiest, safest and fastest maintenance.

EnduraHog™ Grinders — Are our most versatile “all purpose” crusher hogs, coming in many sizes and configurations to enable effective processing of materials such as recyclables, glass, biomass, pharmaceutical waste, and much more. Some of the unique benefits include...

Easy Access Technology

EnduraHog machines expand Jeffrey Rader’s reputation for easy access to internal wear components with new housing upgrades and ultra-large doors that offer the safest, fastest, and easiest options for getting to hammers, rotors, and liners.

Maintenance operators can quickly perform routine maintenance with minimal downtime and lower risk of injury. No other machines on the market offer customers the Grinder’s mix of performance, ease of use and low cost of ownership.



Hammer Design

Grinder hammers offer rugged performance while ensuring precision sizing. Usable life is enhanced by a symmetric design that enables users to flip the hammer when one side wears down. For particularly challenging applications, we offer a variety of custom alloys that can be blended into these hammers to provide optimal functionality and durability.

All our hammers are designed to complement our Brute Armor™ premium screen grates and break bars. Nobody offers a broader portfolio of longwear, high-performance OEM crushing parts.



OUR FLAGSHIP BRANDS



Heavy-Duty Rotor Design

Our disc-type rotor is assembled on a high-strength, alloy-steel shaft and is mounted in self-aligning spherical roller bearings in rugged steel housings. Rotor discs allow maximum flexibility of hammer arrangements. Jeffrey Rader rotors can be set up with 3, 4, or 6 rows of hammers for premium efficiency when shredding to a smaller product size.



Slant-Flow® Screen Grates

Slant-Flow® screen grates, unique to our EnduraHogs, are angled

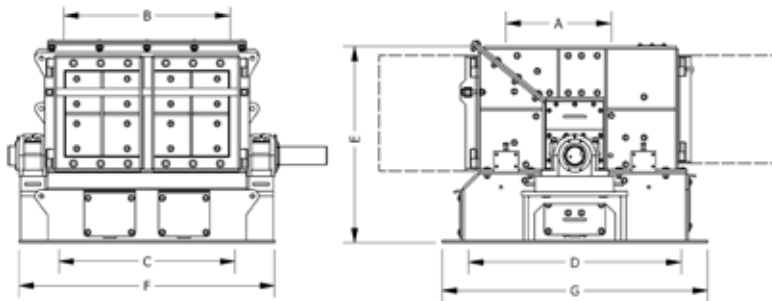
into the flow of material being shredded. This patented design provides more shredding action and allows the material to evacuate faster. In addition, customers gain additional efficiency and cost-effectiveness due to less clogging and diminished fines, with less chance for overall operational failure.

New Brute Armor™ screen grates now available!

For operations demanding minimum maintenance and maximum tramp-metal resistance, we're proud to introduce Brute Armor™ premium screen grate materials with wear-resistant steel, the strongest and most durable product you can buy.



CHIP-SIZER™ DIMENSIONS & WEIGHTS



MODEL	Nominal capacity		Feed opening in inches (mm)		Discharge opening - inches (mm)		Overall height in inches (mm)		Overall length in inches (mm)	Overall weight in lbs (kg)
	TPH	HP	A	B	C	D	E	F	G	LBS
30CS	3 - 8	50	8 (203)	21 (533)	26.5 (673)	35 (889)	36.25 (921)	42.25 (1073)	40 (1016)	3250 (1477)
34CS	7 - 12	75	16 (408)	32.8 (833)	34 (864)	35 (889)	36.38 (924)	54 (1372)	40 (1016)	4000 (1818)
45CS	22 - 40	150	16 (408)	41.5 (1054)	43.5 (1105)	57 (1448)	51.5 (1308)	64 (1626)	63 (1600)	9850 (4477)
56CS	40 - 64	300	22 (550)	53.5 (1359)	56 (1422)	75.75 (1924)	63.75 (1619)	82.25 (2089)	83 (2108)	18500 (8409)
45CSEH	22 - 40	150	25.5 (648)	41.5 (1054)	43.5 (1105)	55 (1397)	54.5 (1364)	64 (1626)	63 (1600)	9850 (4477)
56CSEH	40 - 64	300	33.5 (851)	53.5 (1359)	56.75 (1441)	70.75 (1797)	63.75 (1619)	82.25 (2089)	85.5 (2172)	18500 (8409)

Can provide many larger machine options as well.
 Certified drawings furnished for installation. AutoCAD drawings available upon request.
 Supervised installation available.

OUR FLAGSHIP BRANDS



www.terrasource.com

Call +1 855-483-7721 or email info@terrasource.com to find the sales representative nearest you.